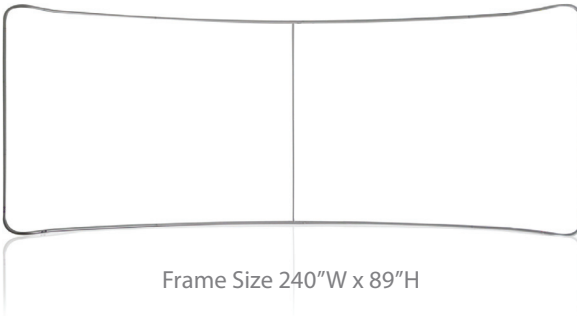


Product Code
 EZT20CRV1 (Single)
 EZT20CRV2 (Double)

EZ TUBE DISPLAY 20FT CURVE



Product Features

Our tubular systems are a great alternative to standard backwall displays. Available in 20ft widths Arch styles. The fabric graphic stretches over the frame to create a seamless and eye catching display.

| | |
|---------------------|---|
| Display Size | 240"W x 89"H |
| Graphic Size | |
| Front Side | Graphic Print - 241.50"W x 90.25"H |
| Back Side | Single Sided - White Fabric without graphic Double Sided - 243.50"W x 92"H |

Finishing

| | |
|------------------|--------|
| Graphic Material | Fabric |
|------------------|--------|

Construction

Aluminum Frame

Weights - Dimensions

| | |
|-----------------|---------------------------|
| Shipping Weight | 70 lbs |
| Dimensions | 24" x 40" x 18" (2 boxes) |

Package includes:

- Aluminum Frame
- 2 Cases with wheels
- Single Sided or Double Sided Graphic Print

Graphic Specifications

Front: 241.5"W x 90.25" H
 Back: 243.5"W x 92" H

Graphic Turnaround Time

4 Business Days

Warranty

Life time on Frame, 1 year on Graphic



2 Carry Cases With Wheels (Option)
 22"W x 39"H x 17"D